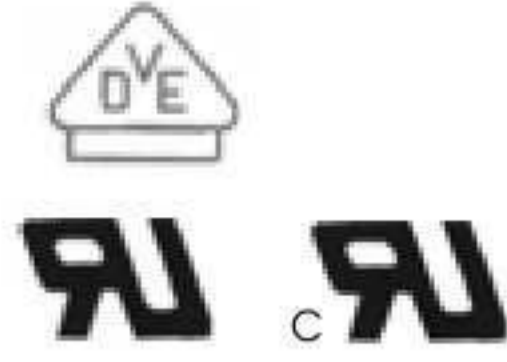
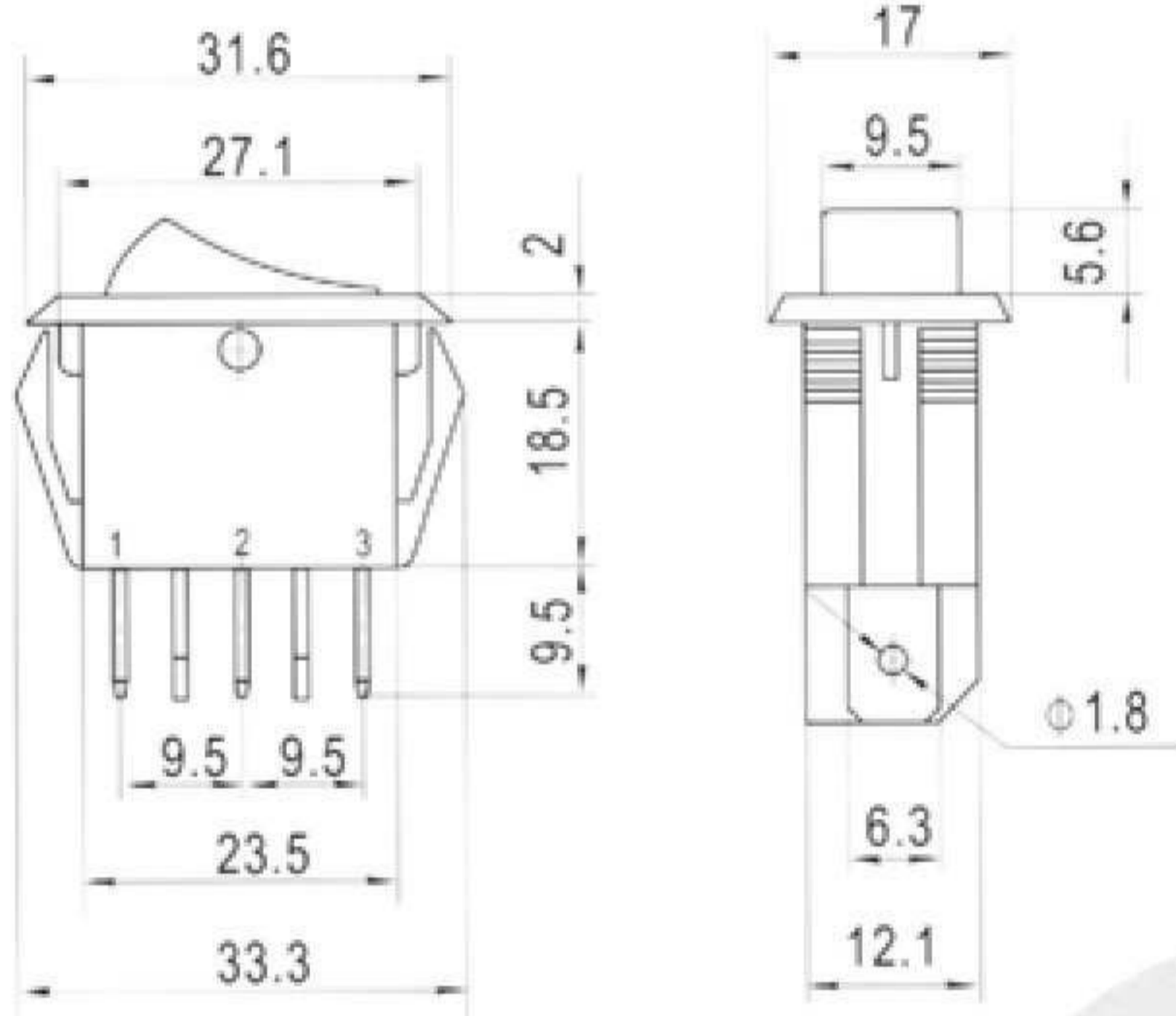


RL-1 SERIES

10 (4)A 250VAC T85
 16 (4)A 250VAC T125/55 1E4
 15A 125V/7.5A 250VAC



(H) Rating: 20A 125V 3/4HP T105



RL-15

ROCKER SWITCH



RL-15-11-C-8-BK/BK-P2



R-15-11-A-2-BK/BK-P1

RL-15 - 11/N - C - 2 - BK/BK - P1 - S... (2)

Funtion	
11	ON - OFF 2T
12	ON - ON 3T
13	ON - OFF - ON 3T
11 (ON)	(ON) - OFF 2T
11 (OFF)	ON - (OFF) 2T
12 (ON)	(ON) - ON 3T
13 (ON)	(ON) - OFF - ON 3T
11/N	ON - OFF 3T w/lamp

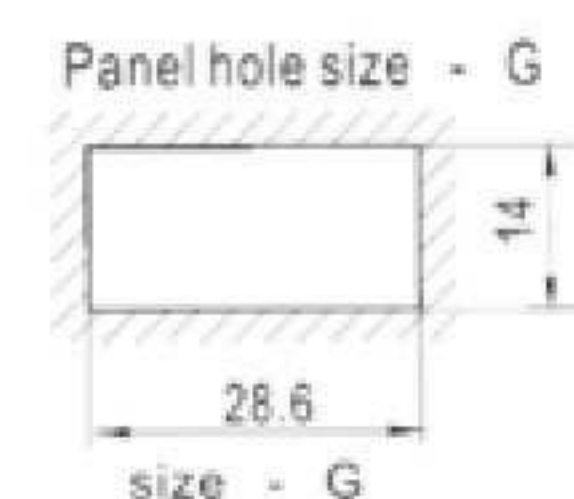
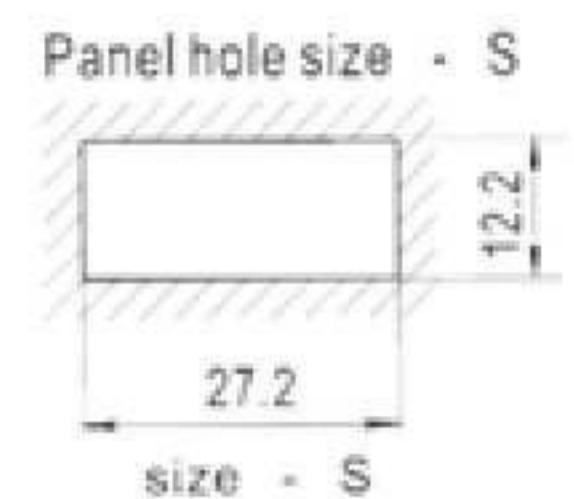
Cap Type	
A	Flat
C	Soft Line

Cap Printing	
0	None
1	
2	
3	
4	
5	
6	
7	
8	
X	Custom.

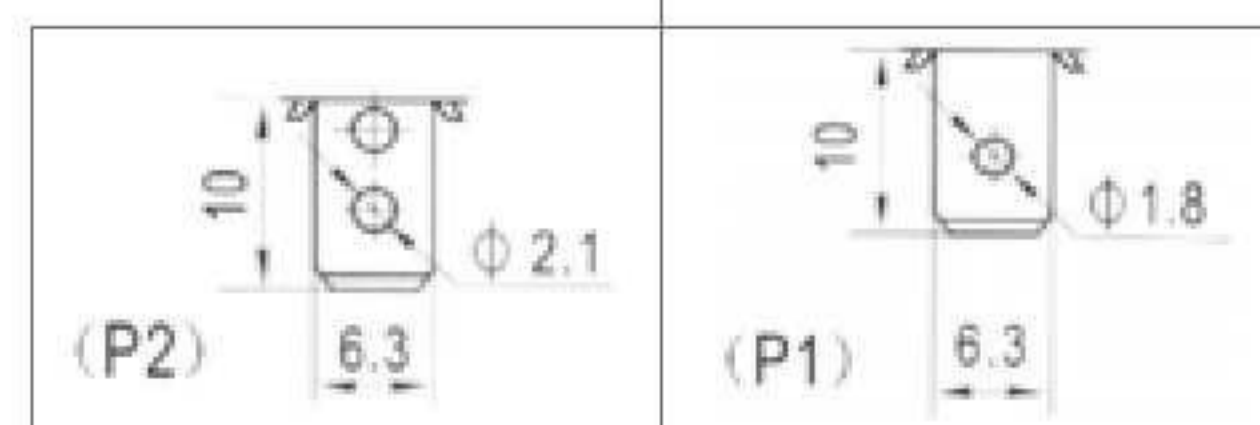
Cap Colour / Housing	
WT	White
BK	Black
RE	Red
OR	Orange
GR	Green
BL	Blue
GE	Grey

Voltage	
1	110VAC
2	220VAC
3	12VDC
4	24VDC

Suggested panel hole size



Terminals



11, rue Rabelais 93102 Montreuil
 Tél. : 01 49 88 28 75 Fax : 01 48 70 27 61
 E-mail : info@mci-coupatan.com
 Web : www.mci-coupatan.com