

RL-3 SERIES

RL-31

ROCKER SWITCH

(G) : 6 (2)A 250VAC T125/55 1E4  
10A 125VAC



(H) : 10 (4)A 250VAC T125/55 1E4  
10 (2)A 250VAC T85/55 5E4  
16A 125V/10A 250VAC 1/3HP 125-250VAC T105



RL-31-11-G-2-BK/BK-P5



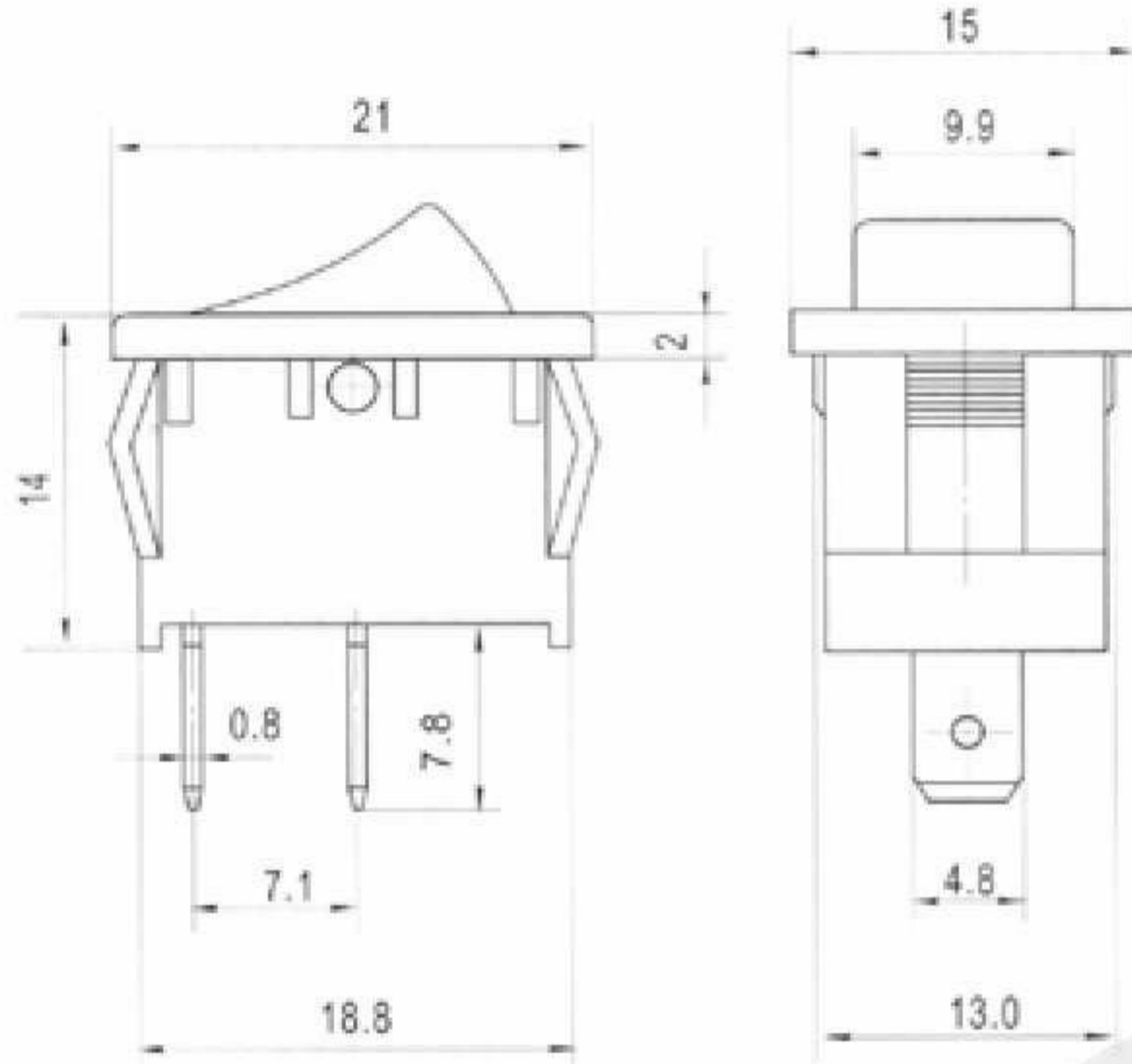
RL-31-00-G-0-RE/BK-P4



RL-31-13-G-6-BK/BK-P5

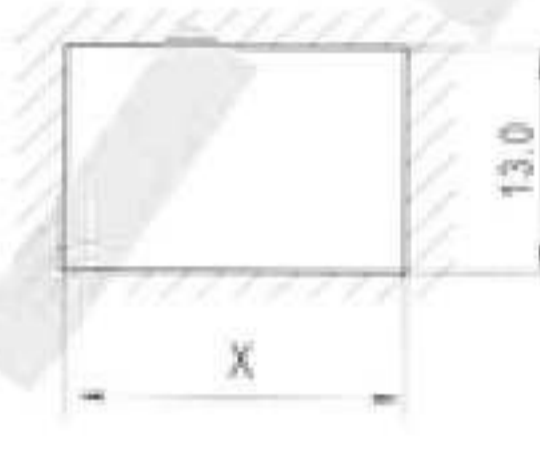


RL-31-11-G-X-BK/BK-P5 + PVC CAP



Suggested panel hole size

Panel thickness	X
0.75-1.25	19.2
1.25-2.0	19.4
2.0-3.0	19.6



RL-31 - 11 - G - 2 - BK/BK - P5 - 0

Funtion	
11	ON - OFF 2T
12	ON - ON 3T
13	ON - OFF - ON 3T
11(ON)	(ON) - OFF 2T
11(OFF)	ON - (OFF) 2T
12(ON)	(ON) - ON 3T
13(ON)	(ON) - OFF - ON 3T
00	INDICATOR LAMP

Rating	
G	10A 125 VAC 6A 250 VAC
H	16A 125 VAC 10A 250 VAC

Cap Printing	
0	None
1	
2	
3	
4	
5	
6	
8	

Cap Colour / Housing	
WT	White
BK	Black
RE	Red
OR	Orange
GR	Green
BL	Blue
GE	Grey

0	Nothing
P	PVC-CAP

Terminals