

ROCKER SWITCH

RL-33

RL-3 SERIES



RL-33-11/N-G-2-RE-BK-P4



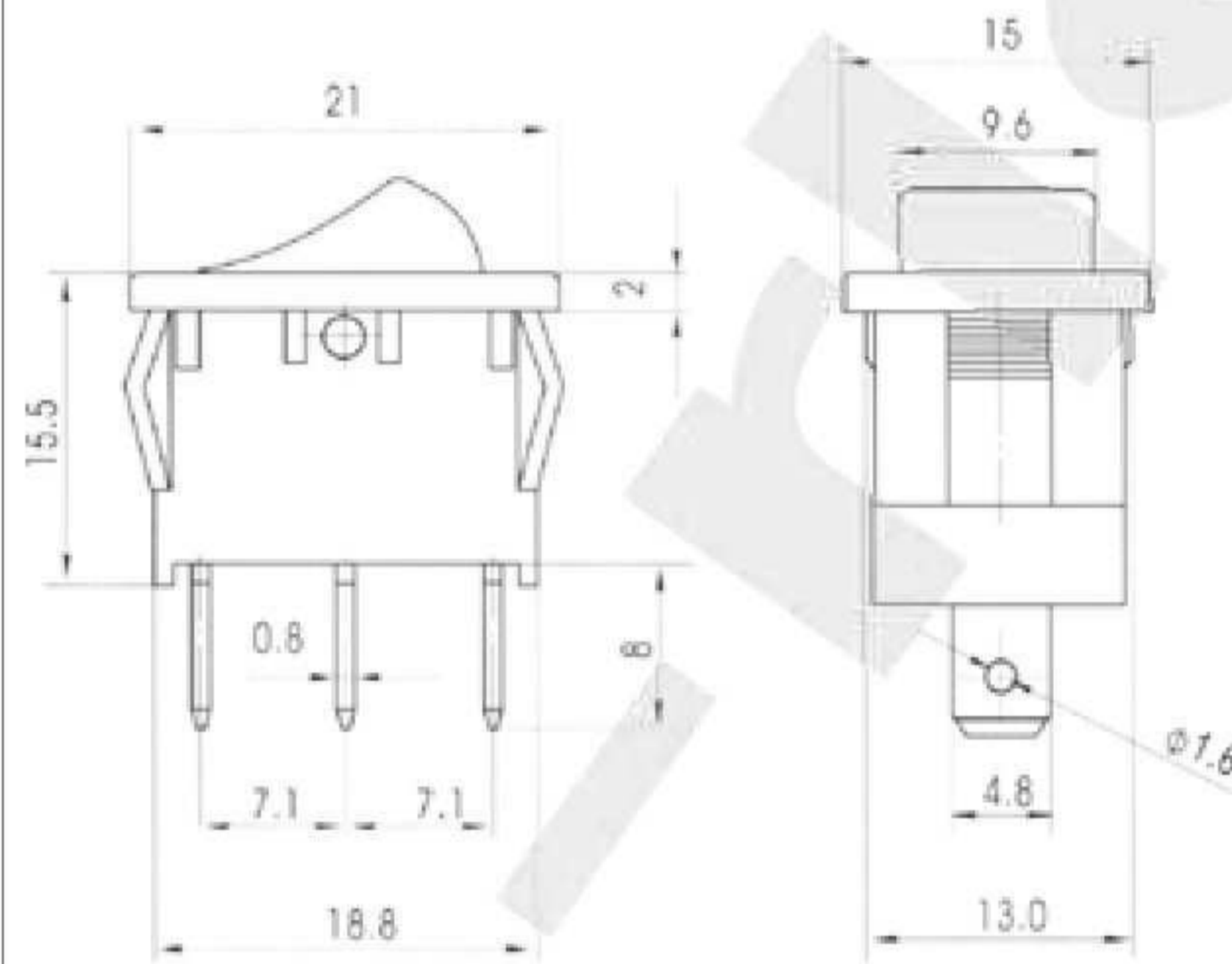
RL-33-11/N-G-2-GR/BK-P4



PVC-CAP

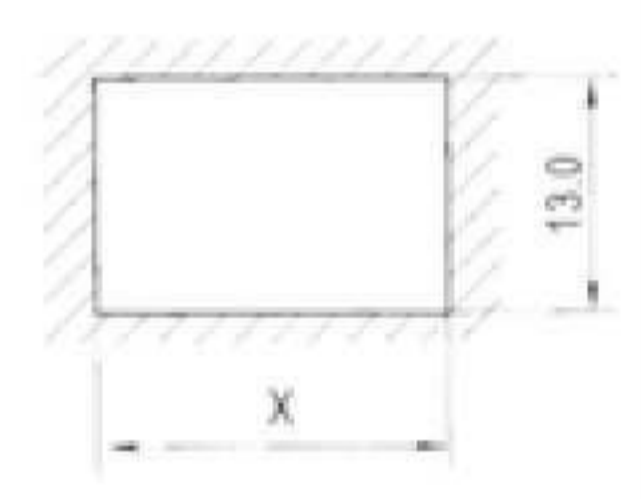
(G) : 6 (2)A 250VAC T125°
10A 125VAC

(H) : 10 (4)A 250VAC T125/55 1E4
10 (2)A 250VAC T85/55 5E4
16A 125VAC/10A 250VAC 1/3HP 125-250VAC T705°



Suggested panel hole size

Panel thickness	X
0.75-1.25	19.2
1.25-2.0	19.4
2.0-3.0	19.6



RL-33 - 11/N - G - 2 - RE/BK - P16 - 0 ... (2)

Funtion	
11/N	ON - OFF 3T w/lamp

Rating	
G	10A 125 VAC 6A 250 VAC
H	16A 125 VAC 10A 250 VAC

Cap Printing	
0	None
1	●
2	○ -
3	○
4	- =
5	
8	⊕ ⊗
X	Custom.

Cap Colour / Housing	
WT	White
BK	Black
RE	Red
OR	Orange
GR	Green
BL	Blue
GE	Grey

Voltage	
1	110VAC
2	220VAC
3	12VDC
4	24VDC

0	Nothing
P	PVC-CAP

Terminals

