

RL-3 SERIES

RL-34(R)

ROCKER SWITCH

(G) : 6 (2)A 250VAC T125/55 1E4
10A 125VAC

(H) : 10 (4)A 250VAC T125/55 1E4
10 (2)A 250VAC T85/55 5E4
16A 125V/10A 250VAC 1/3HP 125-250VAC T105



RL-34(R)-21-G-2-BK/BK-P8



RL-34(R)-21-G-2-RE/BK-P8

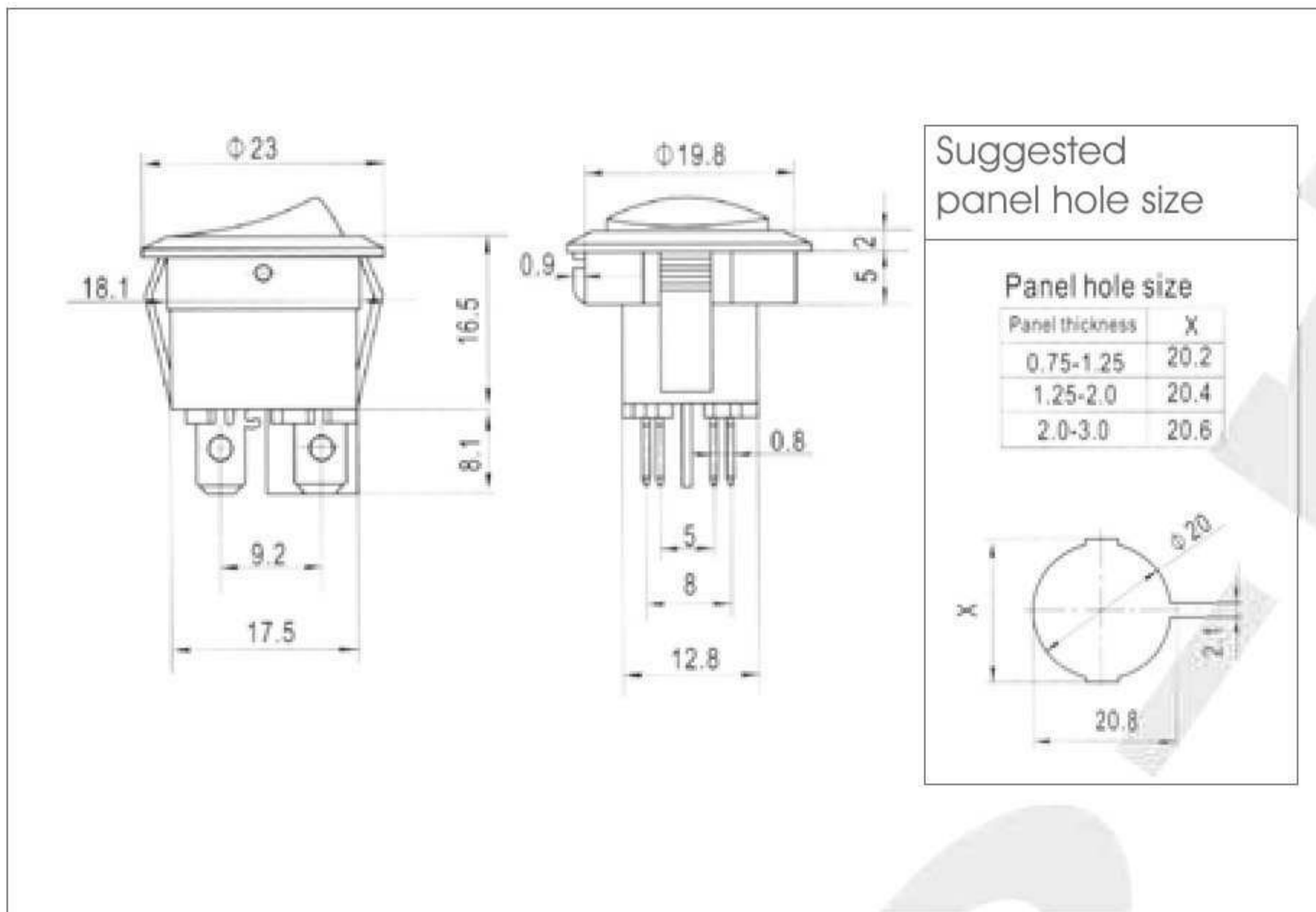


RL-34(R)-21/N-G-2-RE/BK-P8



PVC-CAP

RL-34(R)-21/N-H-2-BL/BK-P4-P(2)



RL-34(R) - 21 - G - 2 - BK/BK - P8 - 0 ... (2)

Funtion	
21/N	ON - OFF 4T w/lamp
21	ON - OFF 4T
11	ON - OFF 2T
11/N	ON - OFF 3T w/lamp

Rating	
G	10A 125 VAC 6A 250 VAC
H	16A 125 VAC 10A 250 VAC

Cap Printing	
0	None
1	●
2	○ —
3	○
4	— =
5	
8	⊕ ⊗
X	Custom.

Cap Colour / Housing	
WT	White
BK	Black
RE	Red
OR	Orange
GR	Green
BL	Blue
GE	Grey

0	Nothing
P	PVC-CAP

Voltage	
1	110VAC
2	220VAC
3	12VDC
4	24VDC



11, rue Rabelais 93102 Montreuil
Tél. : 01 49 88 28 75 Fax : 01 48 70 27 61
E-mail : info@mci-coupatan.com
Web : www.mci-coupatan.com

