

ROCKER
SWITCH

RL-35

RL-3 SERIES



PVC-CAP

RL-35-11/N-G-2-RE/BK-P5-P(2)

(G): 6 (2)A 250VAC T125/55 1E4
10A 125VAC

(H) : 10 (4)A 250VAC T125/55 1E4
10 (2)A 250VAC T85/55 5E4
12 (8)A 250VAC T85/55 1E4
16A 125V/10A 250VAC 1/3HP 125-250VAC T105



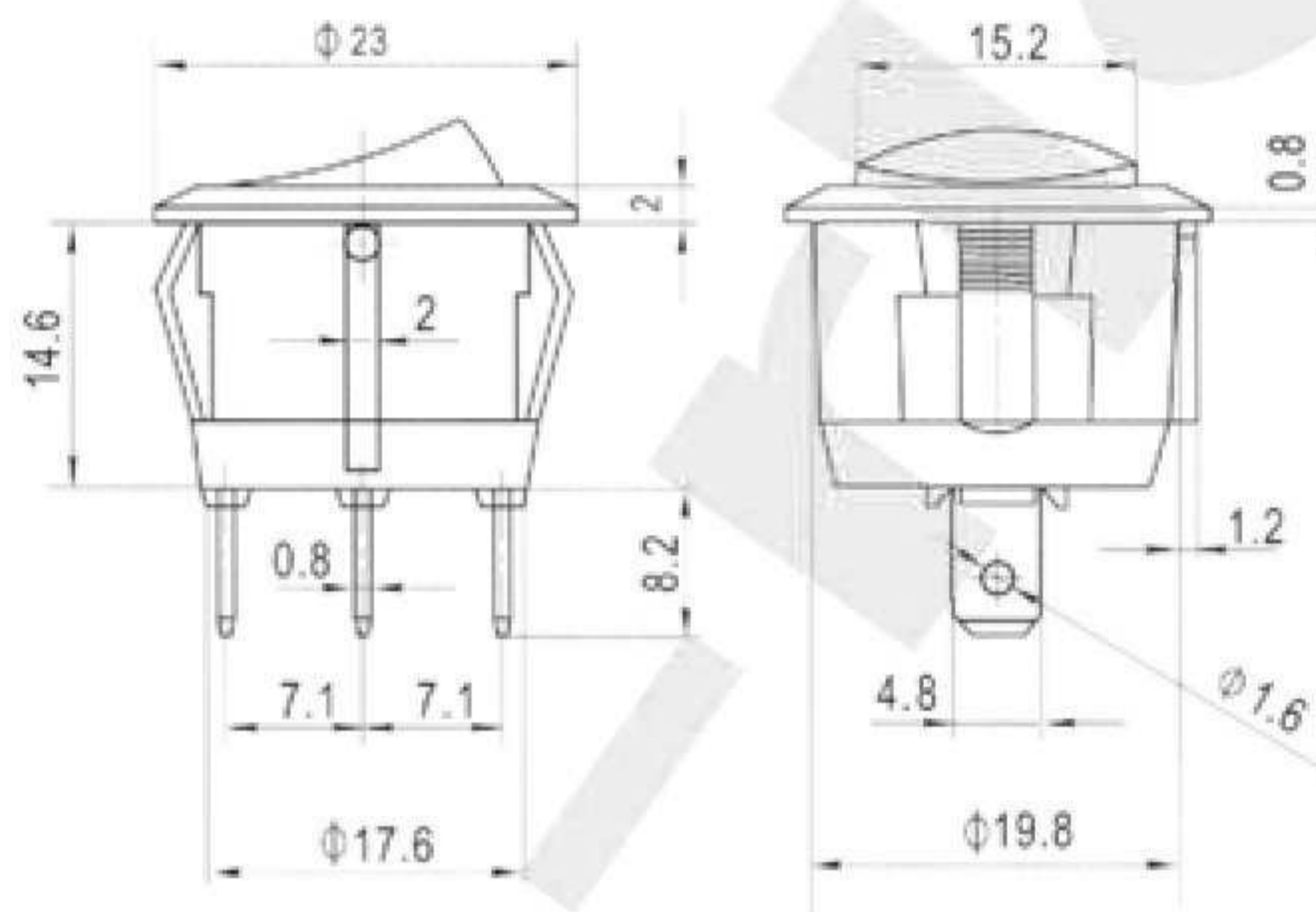
RL-35-11-G-2-BK/BK-P5



RL-35-11/N-MIR-G-0-BK/BK-P5

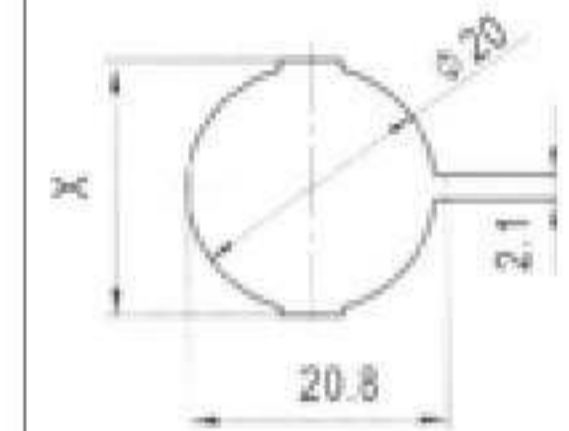


RL-35-00-G-0-RE/BK-P4



Suggested
panel hole size

Panel thickness	X
0.75-1.25	20.2
1.25-2.0	20.4
2.0-3.0	20.6



RL-35 - 11 - G - 2 - BK/BK - P5 - 0 ... (2)

Funtion	
11/N	ON - OFF 2T w/lamp
11	ON - OFF 2T
12	ON - ON 3T
13	ON - OFF - ON 3T
11 (ON)	(ON) - OFF 2T
00	Indicator Lamp.
13 (ON)	(ON) - OFF - ON 3T

Rating	
G	10A 125 VAC 6A 250 VAC
H	16A 125 VAC 10A 250 VAC

Cap Printing	
0	None
1	
2	
3	
4	
5	
8	
X	Custom.

Cap Colour / Housing	
WT	White
BK	Black
RE	Red
OR	Orange
GR	Green
BL	Blue
GE	Grey

0	Nothing
P	PVC-CAP

Voltage	
1	110VAC
2	220VAC
3	12VDC
4	24VDC



11, rue Rabelais 93102 Montreuil

Tél. : 01 49 88 28 75 Fax : 01 48 70 27 61

E-mail : info@mci-coupatan.com

Web : www.mci-coupatan.com

