

RL-5 SERIES

RL-51

PUSH SWITCH

16 (6)A 250VAC T125/55 1E4
 10 (4)A 125VAC T125/55 5E4
 3/4HP 250VAC
 1/2HP 250VAC
 16A 125 VAC T105



RL-51-21-RE/BK-P1-0



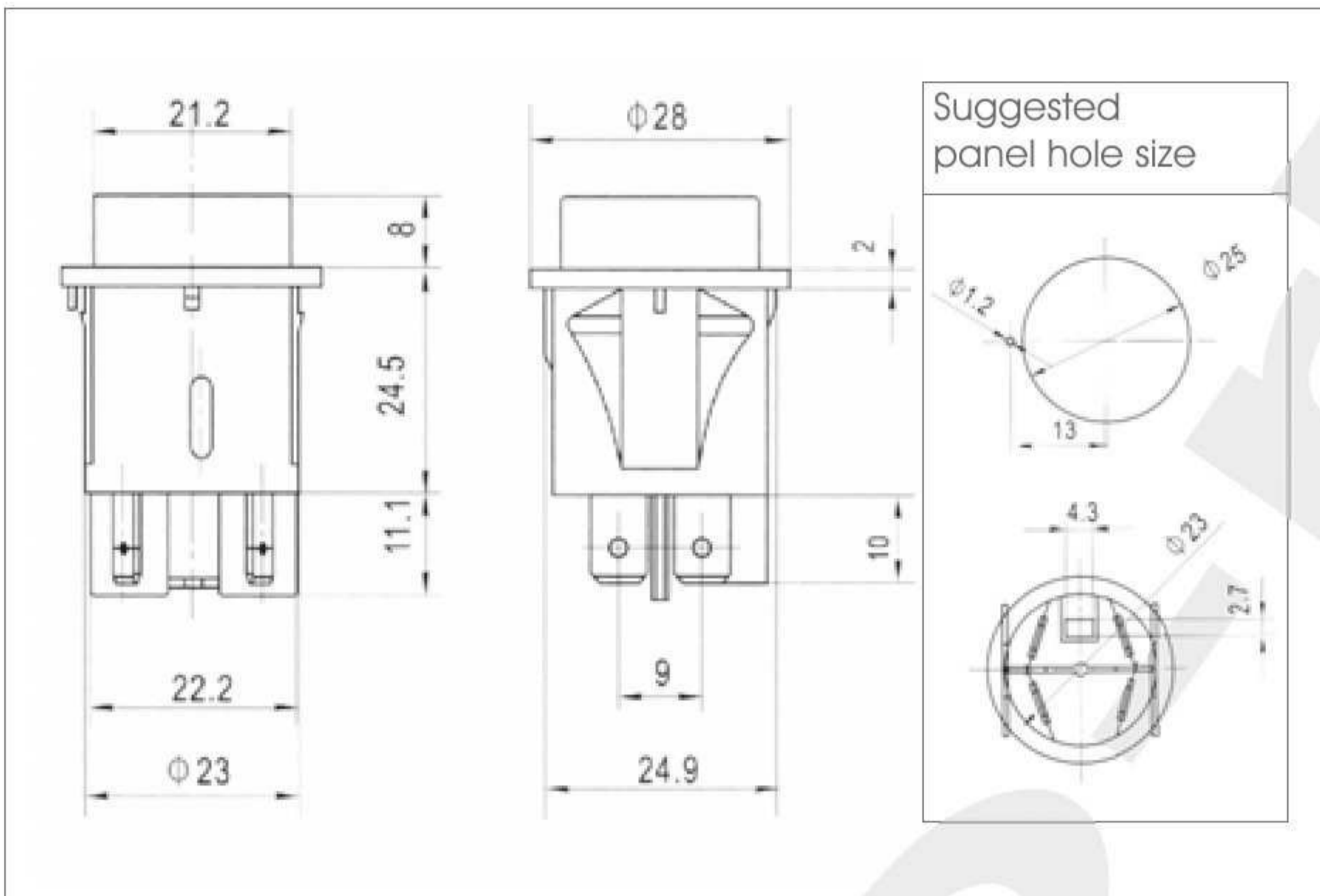
RL-51-21/N-GR/BK-P1-0-2



RL-51-21/N-RE/BK-P1-P-2



RL-51-11/N-RE/BK-P1-MS



RL-51 - 21/N - RE/BK -P1 - 0 ... (2)

Funtion	
21/N	TN - OFF - 4P w/lamp.
21	ON - OFF 4T
21(ON)	(ON) - OFF 4T
21(ON)N	(ON) - OFF 4T w/lamp.
11	ON - OFF 2T
11(ON)	(ON) - OFF 2T
00	INDICATOR LAMP

Cap Colour / Housing	
WT	White
BK	Black
RE	Red
OR	Orange
GR	Green
BL	Blue
GE	Grey

Terminals	
(P1)	
(P20)	

External protection	
0	Nothing
P	Pvc-Cap.
MS	Mushroom

Voltage	
1	110VAC
2	220VAC
3	12VDC
4	24VDC



Matériels de contrôle industriel

11, rue Rabelais 93102 Montreuil

Tél. : 01 49 88 28 75

Fax : 01 48 70 27 61

E-mail : info@mci-coupatan.com

Web : www.mci-coupatan.com